

0732 3GYPMA

GYPSUM INSTALLATION LEVEL 3

CON/OS/GYP/CR/03/3/MA

Install Gypsum Cabinets

July/August 2025



**TVET CURRICULUM DEVELOPMENT, ASSESSMENT AND CERTIFICATION
COUNCIL (TVET CDACC)**

PRACTICAL ASSESSMENT

INSTRUCTIONS TO THE CANDIDATE:

1. This unit of competence shall be assessed in three phases.
2. Each assessment session has the duration included in brackets
3. The third phase of the assessment shall include a practical session and an oral assessment session.
4. The assessor will take photos and videos as you perform the tasks at critical points during the assessment.
5. Ensure all required resources for the assessment have been provided before beginning the assessment.

1. PRACTICAL ASSESSMENT 1 (4 HOURS)

Elements Covered:

- Construct gypsum cabinet framing.

1.1 Tasks

- **Framing:**
 - Mark out cabinet framing lines on floor and ceiling.
 - Erect top and bottom tracks, position vertical studs.
 - Install horizontal bracing as per design specifications.

2. PRACTICAL ASSESSMENT 2 (4 HOURS)

Elements Covered:

- Install gypsum cabinet boards.

2.1 Tasks

- **Board Installation:**
 - Measure and cut gypsum boards to required dimensions.
 - Position boards against the framing with expansion gaps.
 - Secure boards to framing with drywall screws.

3. PRACTICAL ASSESSMENT 3 (4 HOURS)

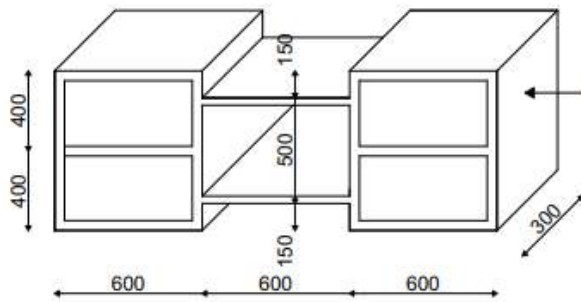
Elements Covered:

- Apply finishes to gypsum cabinet surfaces.

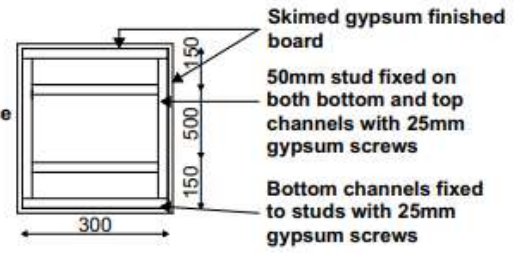
3.1 Tasks

- **Joint Compound Application:**
 - Apply first coat of compound to joints and edges.
 - Embed joint tape and apply second and third coats.
 - Sand and finish the surface to a smooth level.

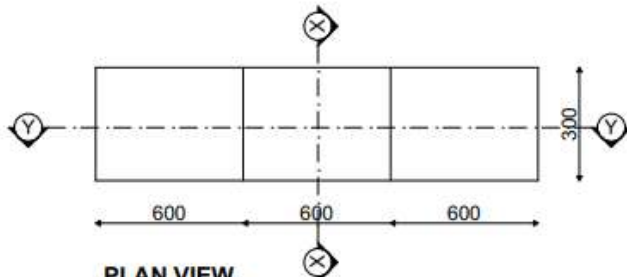
The assessor will proceed to ask you oral questions for 1 hour.



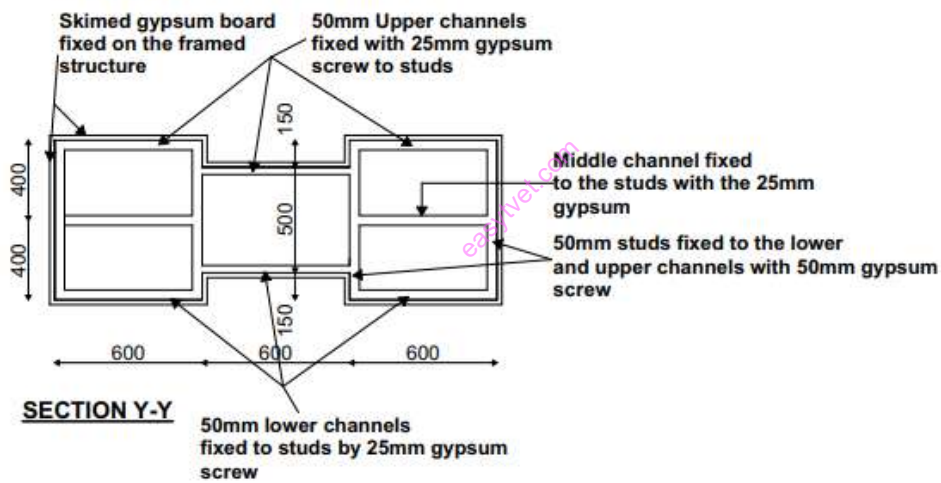
FINISHED PRODUCT



SECTION X-X



PLAN VIEW



SECTION Y-Y

WORKING DRAWING.